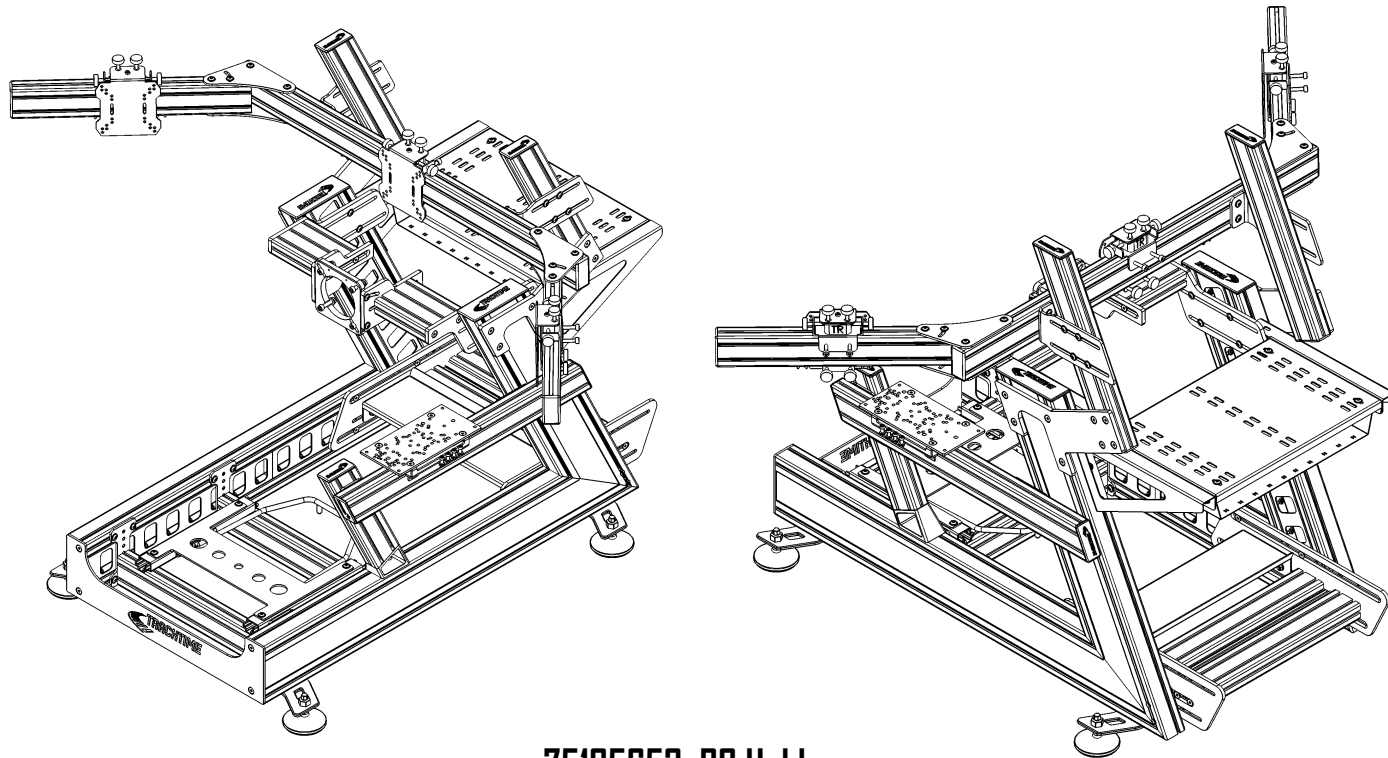




series / one



75105653 PC Holder

Version V2

BEFORE STARTING THE BUILD

The following are needed for assembly:

- Soft base / underlay (scratch protection)
- A set of hex wrenches
- Tape measure/ruler
- A buddy who can lend a hand

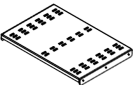
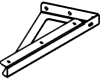



Read the manual first. All remarks are important and could help you avoid problems.

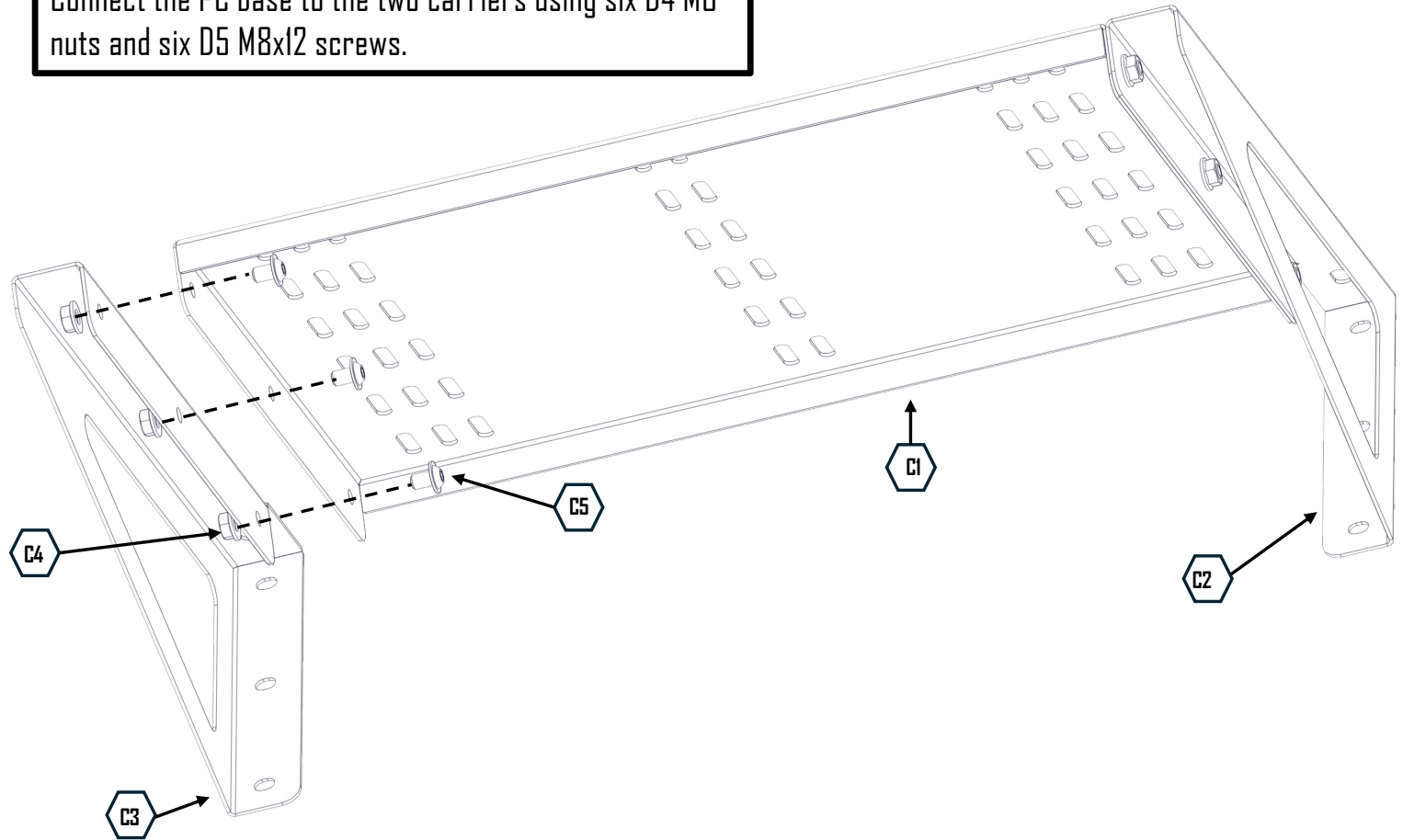
Use BOM (Bill of Material) to find the sizes and lengths of the parts.



3 / 43

Connect the PC base to the two carriers using six D4 M8 nuts and six D5 M8x12 screws.

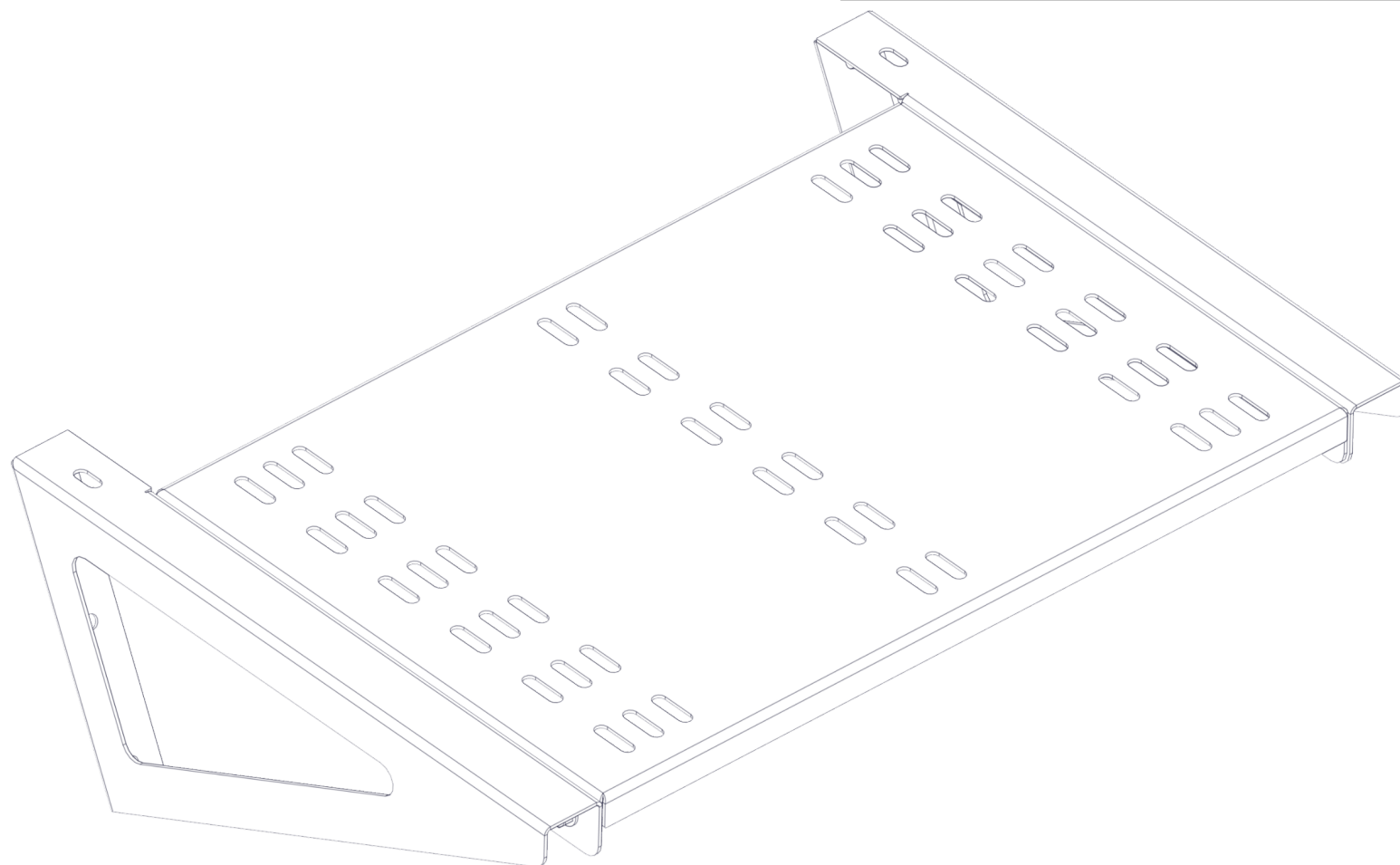
- 1x C1 
- 1x C2 
- 1x C3 
- 6x C4 
- 6x C5 



PC-HOLDER

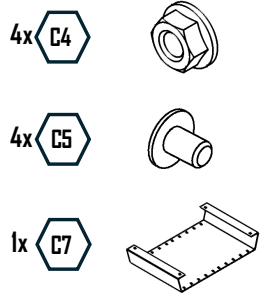
4 / 43

Step 1 is finished.

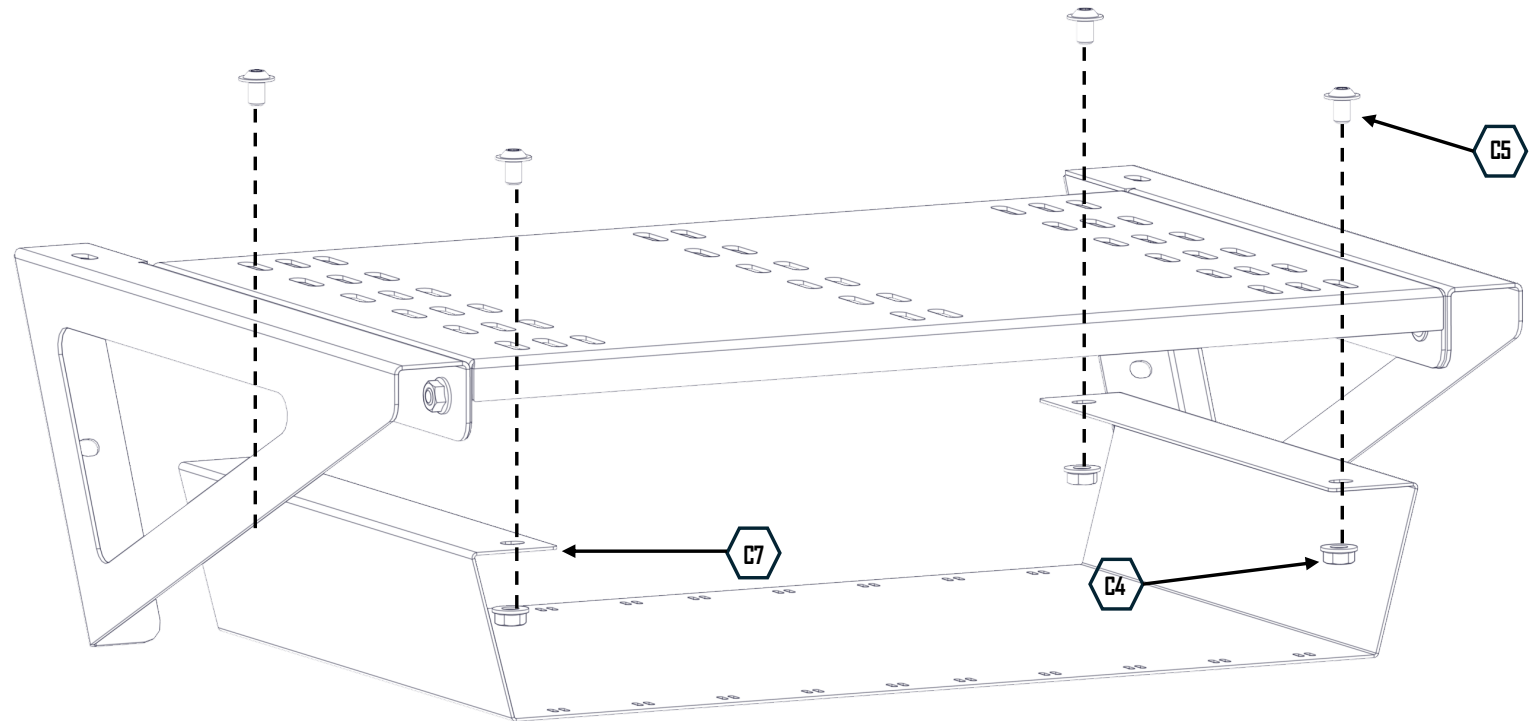


PC-HOLDER

5 / 43



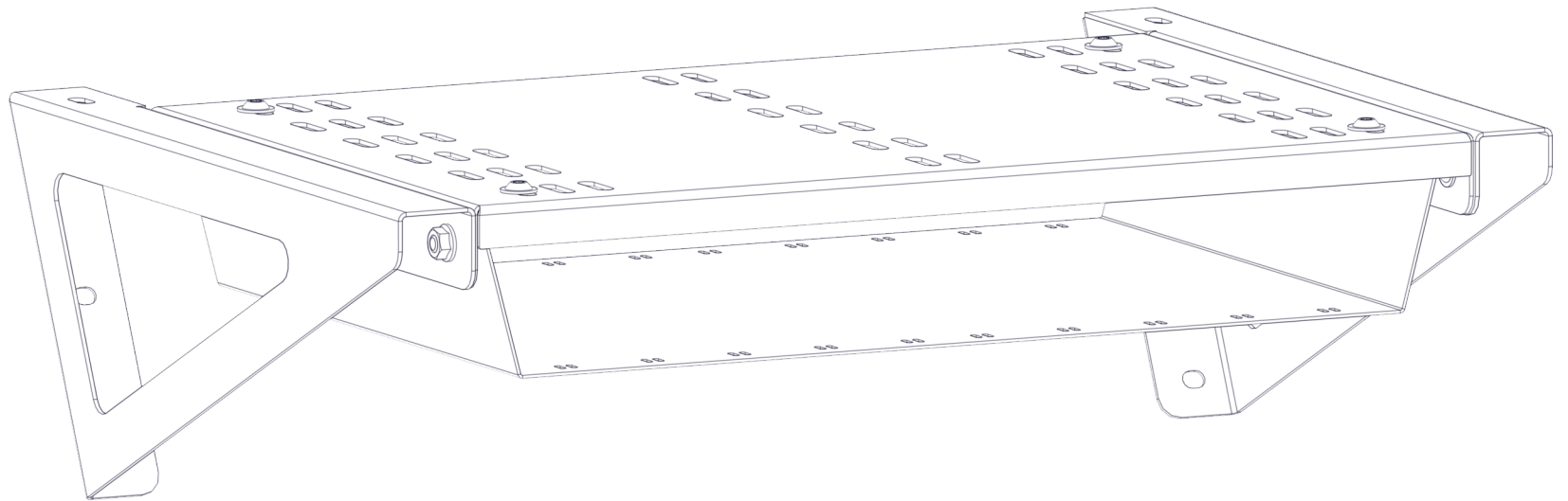
Install the undertray using four C4 M8 nuts and four C5 M8 x 12 screws.
You may need to press C7 slightly to arrange its hole pattern with C1.



PC-HOLDER

6 / 43

Step 3 is finished.

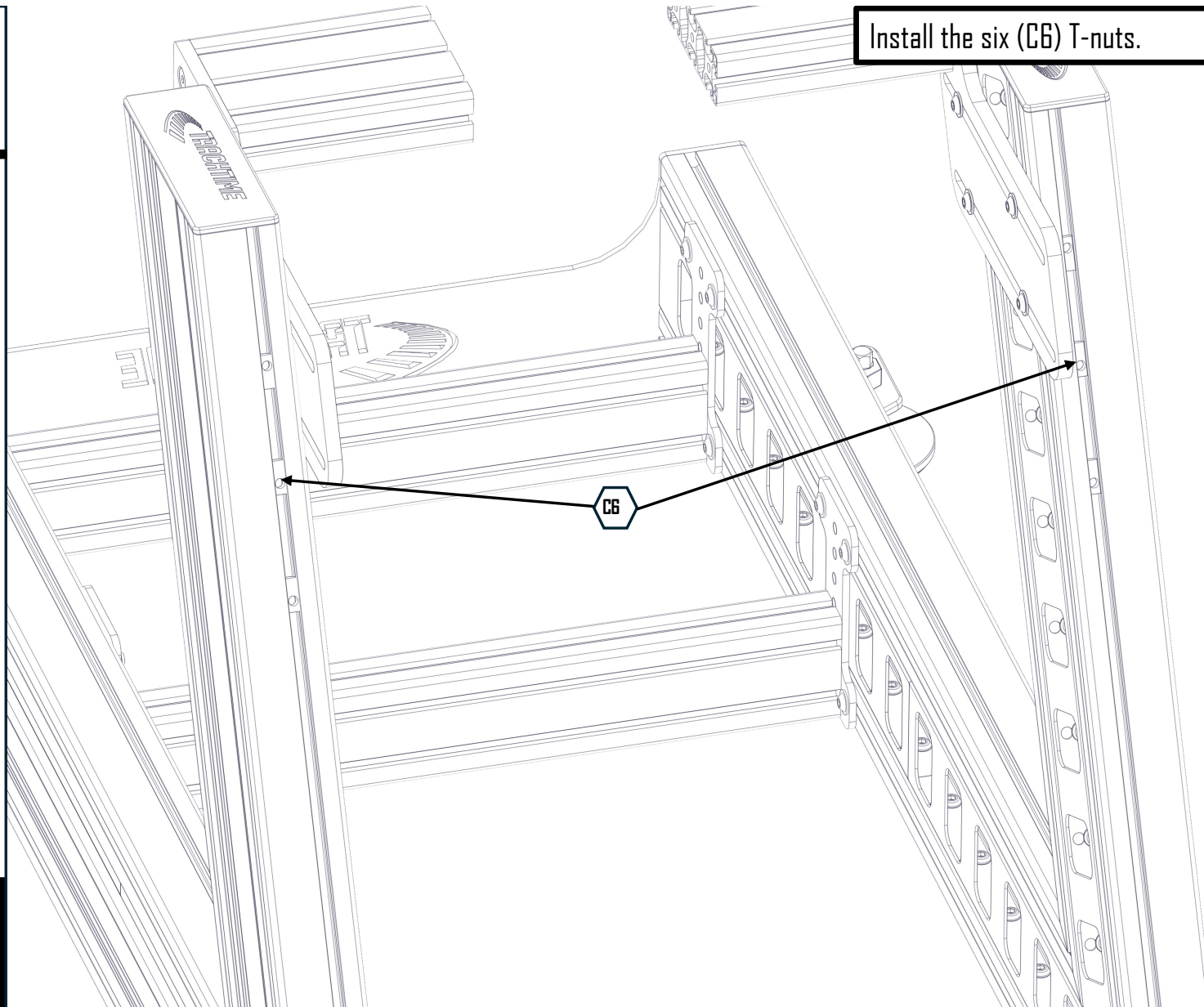


PC-HOLDER

7 / 43



Install the six (C6) T-nuts.

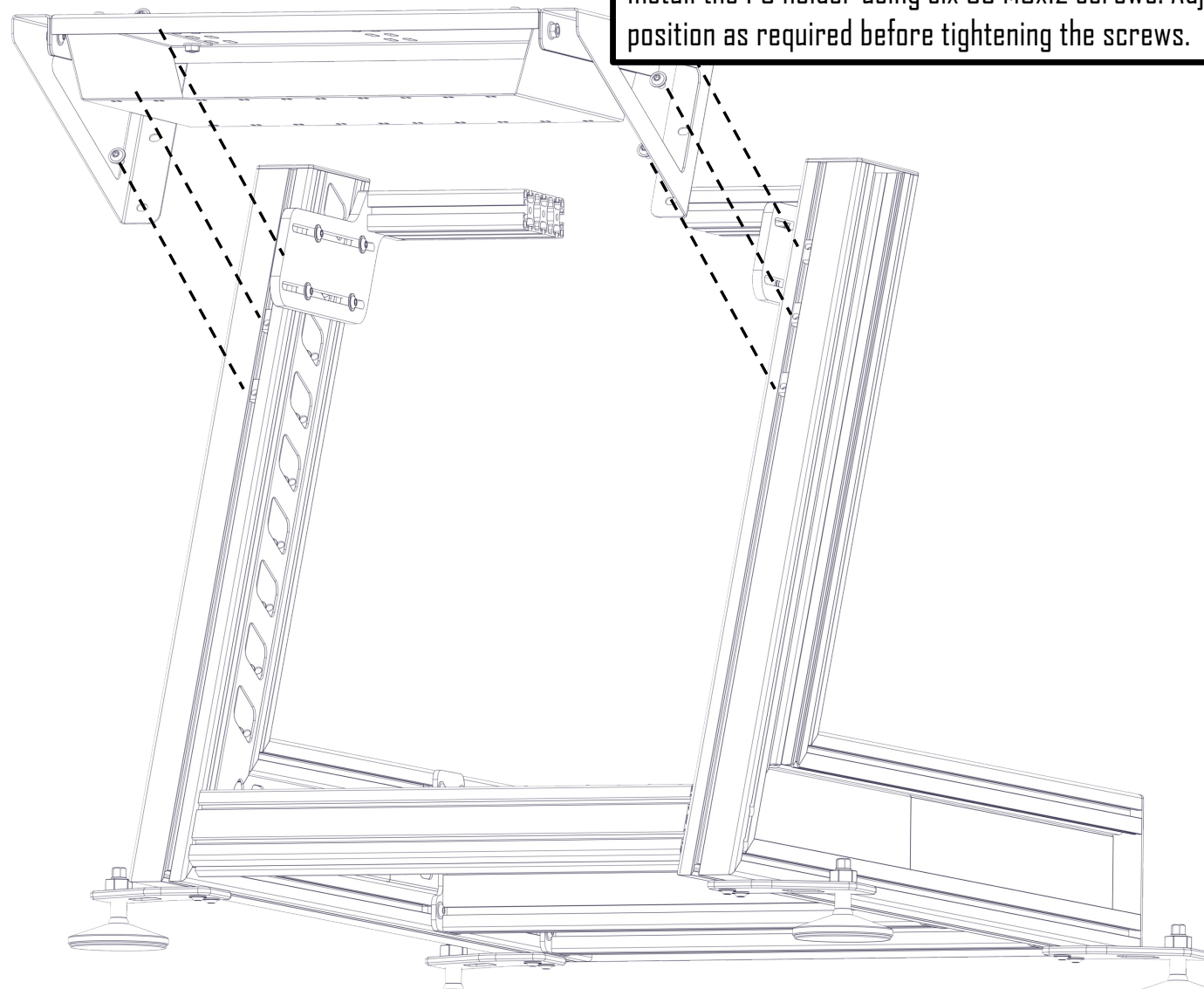


PC-HOLDER

8 / 43

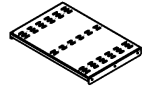
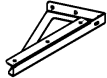





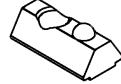
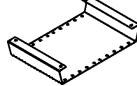
PC-HOLDER



Install the PC holder using six C5 M8x12 screws. Adjust its position as required before tightening the screws.

75105653 PC Holder

Part	Picture	Order. No.	Article	Pieces
C1		75121133	PC Base	1
C2		75121134	Left Carrier	1
C3		75121135	Right Carrier	1
C4		68310044	Locking Nut M8	10

Part	Picture	Order. No.	Article	Pieces
C5		68320473	Lensscrew M8x12	16
C6		75190016	T-Nut M8	6
C7		75121191	Undertray	1



series / one

Need help? Scan for help & resources



If you have any further questions about assembling this product or about the manual itself, please contact our support department. You can reach them at

info@track-time.de